

PMC-D726M Quick Start Guide

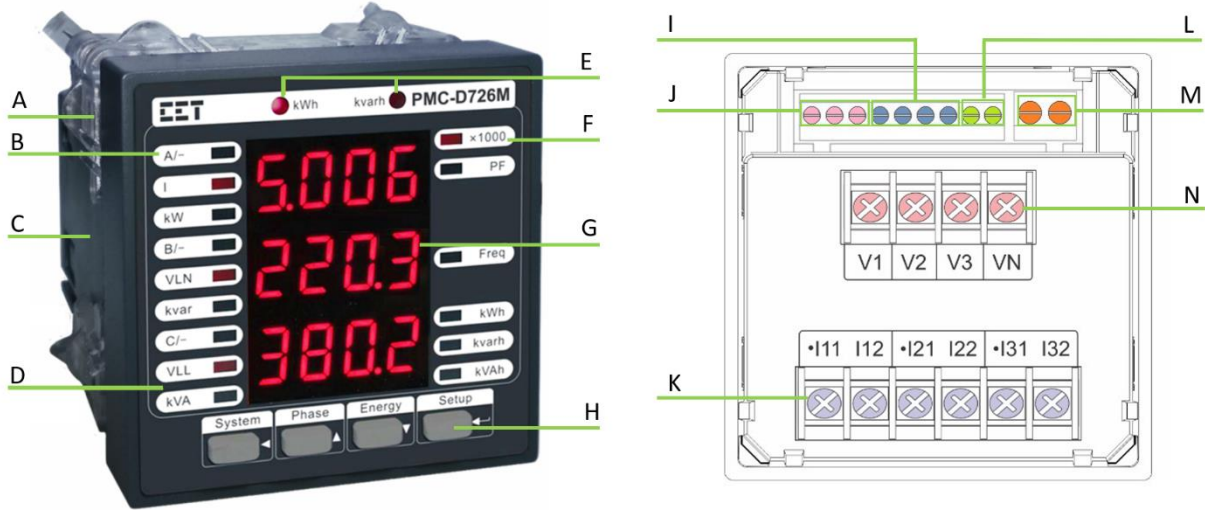
Version 1.02

2024/03/01

Package Contents

- PMC-D726M Meter with all installation clips and plug-in connectors installed
- Factory Test Report
- CD with PMC-D726M User Manual
- Quick Start Guide (this document)

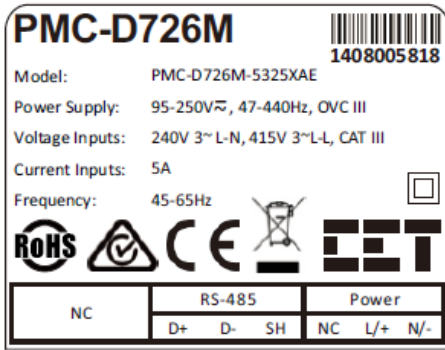
Meter Overview



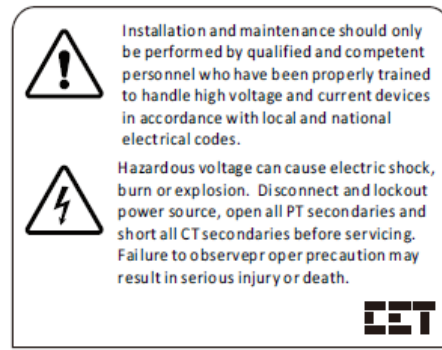
Front View

Rear View-2xDI+2xDO

A	Installation Clips	F	x1000 Scaling Factor Indicator	K	Current Input Terminals
B	Phase Label and Export Indicator	G	Measurements	L	RS-485 Terminals
C	Enclosure	H	Buttons	M	Power Supply Terminals
D	Front Panel	I	Digital Outputs Terminals	N	Voltage Input Terminals
E	kWh/kvarh LED Pulse Output	J	Digital Inputs Terminals		



Serial Number Label



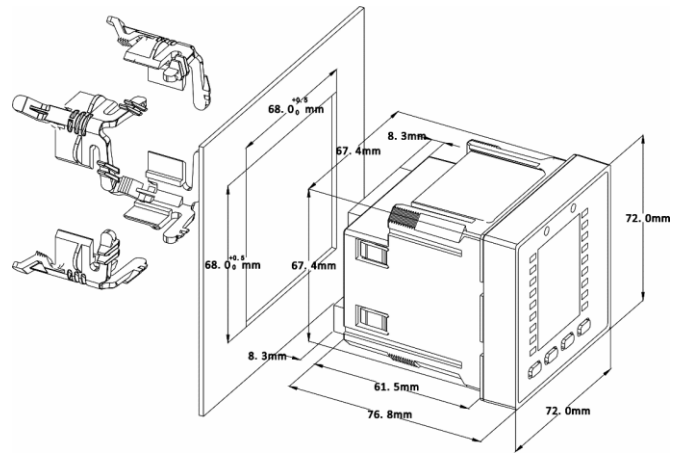
Warning Label

Using the Front Panel Buttons

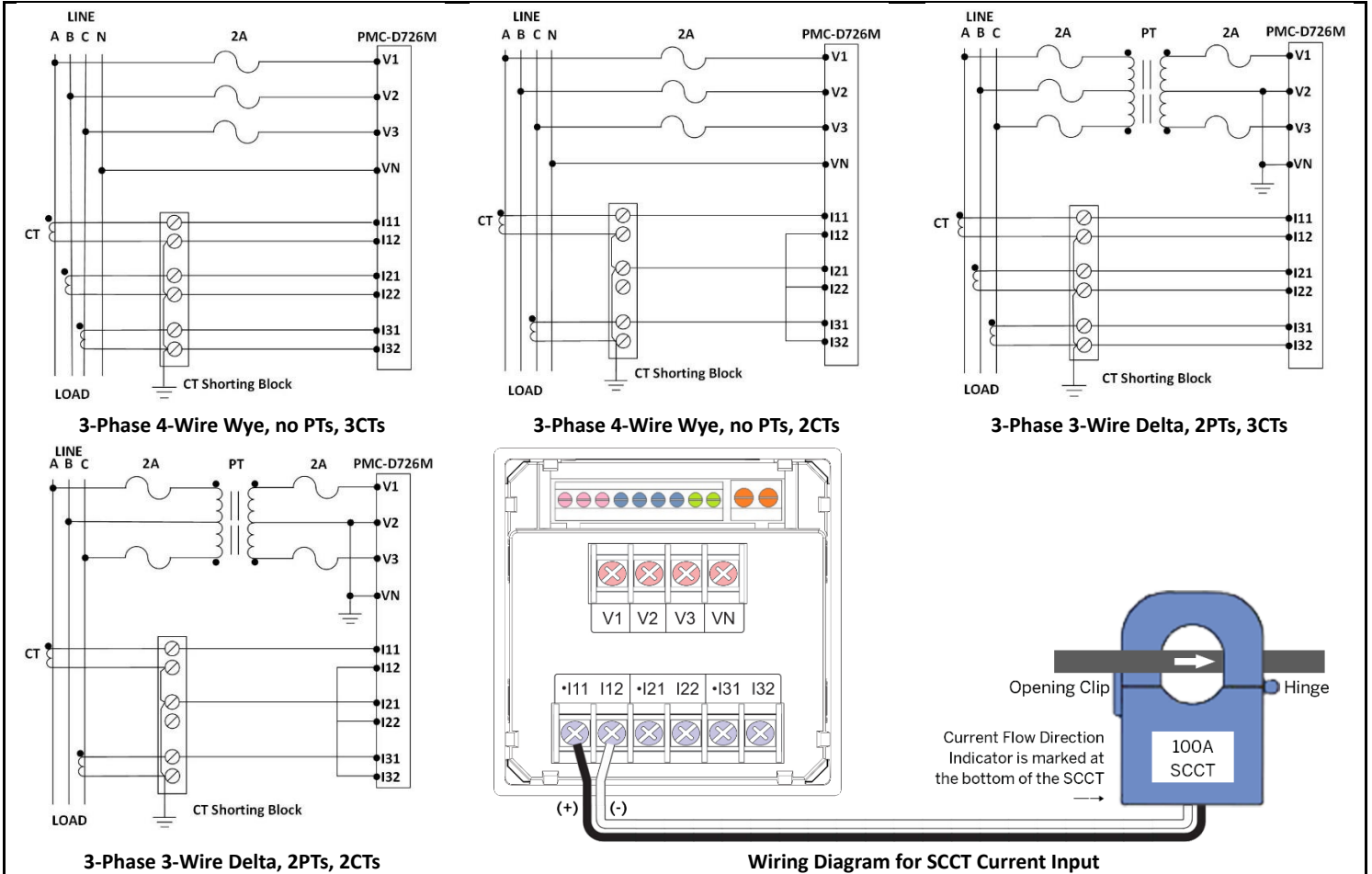
Buttons	Data Display Mode	Setup Configuration Mode
System < ◀ ▶ >	Pressing this button scrolls through the available measurements under the System menu.	Before a parameter is selected for modification, pressing this button goes back to the last menu. If a parameter is already selected, pressing this button moves the cursor to the left by one position for a numeric value and has no effect for an enumerated value.
Phase < ▲ >	Pressing this button scrolls through the available measurements under the Phase menu.	Before a parameter is selected for modification, pressing this button advances to the last menu or parameter in a particular menu. If a parameter is already selected, pressing this button increments a numeric value or advances to the next enumerated value in the selection list.
Energy < ▶ ▶ >	Pressing this button scrolls through the energy measurements.	Before a parameter is selected for modification, pressing this button advances to the next menu or parameter in a particular menu. If a parameter is already selected, pressing this button decrements a numeric value or goes back to the last enumerated value in the selection list.
Setup < ⇄ >	Pressing this button for two seconds toggles between Data Display and Setup Configuration .	Once inside the Setup Configuration mode, pressing this button selects the parameter for modification. After changing the parameter, pressing this button again saves the new setting into memory.

Mounting the Meter

- Remove the installation clips from the meter
- Fit the meter through a 68mmx68mm cutout as shown in figure right
- Re-install the installation clips and push the clips tightly against the panel to secure the meter



Wiring Modes and SCCT Current Input Wiring Diagram



Basic Setup Parameters

Menu	Parameters	Description	Options/Range	Default	
PASS	Password	Password	0 to 9999	0	
SYS SET	TYPE	Wiring Mode	The Wiring Connection of the meter	WYE/DELTA/DEMO	WYE
	CT1#	CT Primary	CT Primary Current	1 to 30,000 A	5A
	CT2#	CT Secondary	CT Secondary Current	1 to 5 A	5A
	PT1#	PT Primary	PT Primary Voltage	1 to 1,000,000 V	100V
	PT2#	PT Secondary	PT Secondary Voltage	1 to 690 V	100V
	PF	PF Convention	PF Convention	IEC/IEEE/-IEEE	IEC
COM SET	KVA	kVA Calc.	kVA Calculation Method	V/S (V=Vector, S=Scalar)	V
	ID	Unit ID	Unit ID	1-247	100
	BAUD	Baud Rate	Data rate in bits per second	1200/2400/4800/ 9600/19200/38400bps	9600
	CFG	Data Format	Data Format	8N2/8O1/8E1/8N1/8O2/8E2	8E1

* Available in Firmware V1.00.03 or later.